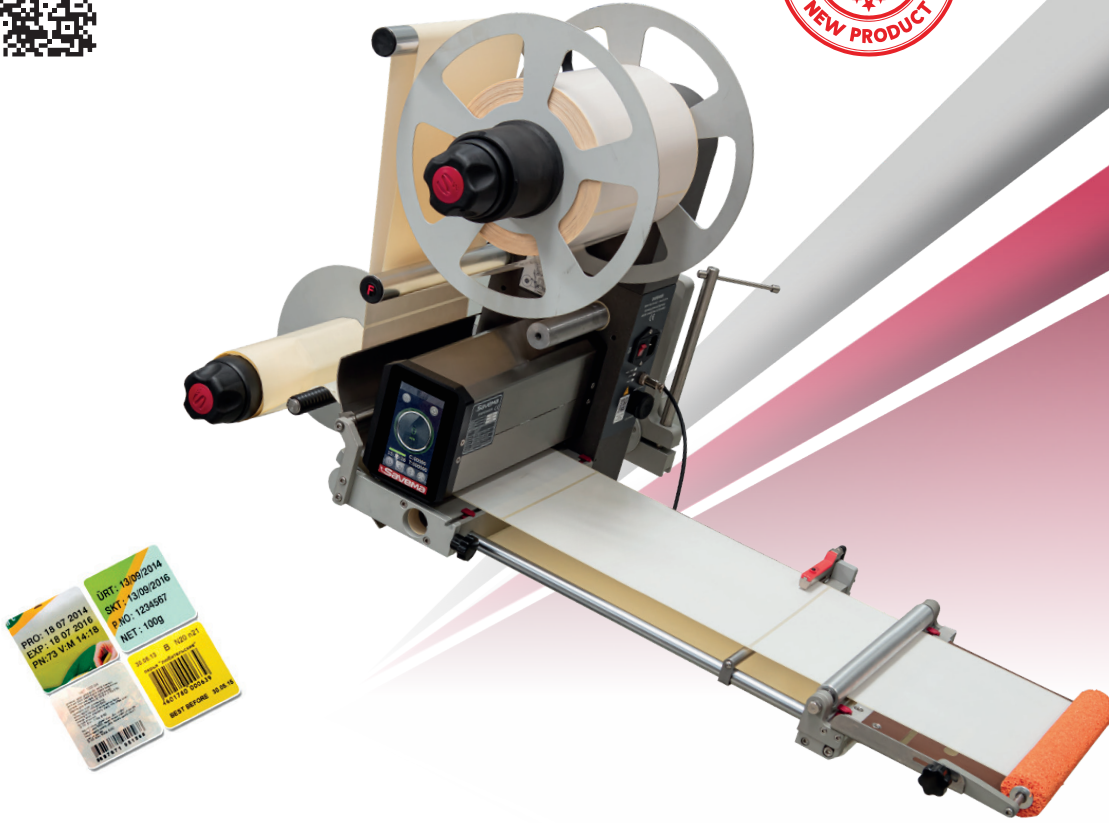


# SAVEMA DISPENSER SERIES

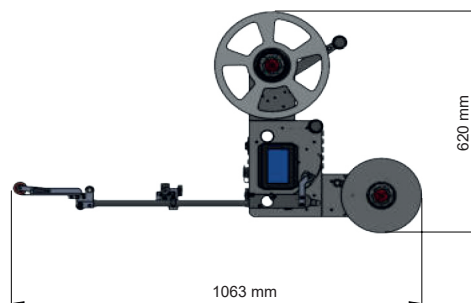
## SVM D-240



Specifications	Dispenser D-240
Label Speed	Max. 30 meters/min
Power Supply	100-240V AC, 500W, 50-60 Hz
I/O Interface	Label Feeding Signal Input / Fault Signal Output, Busy Signal Output
Interface(optional)	Modbus RTU, Modbus TCP, Ethernet TCP/IP, Can-Open, Start / Stop Signal
Connection Types	Relay (NPN-PNP) - Photocell (NPN-PNP)
Advanced Properties	Working with encoder or without encoder, printer can be connected (optional) blowermechanism can be connected (optional), transparent label sensor (optional), missing label error, label broken error, printer fault error
Operation	4.3" / 272x480 pixel resolution touchscreen, user menu, setting menu, user start/stop, user administration, manual label feed
Language	Multi-Language System(TR,EN,IT,DE,RU,AR,FR,ES,CS,NL,CN,KO,PT,EL,FA)
Max Label Roll Diameter	300 mm
Reel Holder	76 mm
Max Label Width	240 mm
Weight	35 kg
Printers Can Be Installed	SVM 32*53*107*128 mm Intermittent Printers



**SVM D-240 (HORIZONTAL)**



**SVM D-240 (VERTICAL)**

